

FIG 503 3 WAY VENT VALVE

FEATURES & BENEFITS

The NABIC Fig 503 Three Way Vent Cock has been designed for use on vented hot water systems, to ensure there is a permanent connection from the boiler or calorifier to atmosphere. This valve allows the use of a single common vent pipe and permits continued operation of the system whilst maintenance is carried out on an individual unit.

- Size Range: DN20 - DN65
- Boiler connection permanently open
- Minimum water loss on changeover
- Cassette construction for ease of inspection and in-line servicing
- DN65 available with flanged boiler and vent connections

PRESSURE RATINGS & TEMPERATURE RANGE

MIN - MAX SET PRESSURE (bar)	MIN - MAX SET TEMPERATURE (°C)
7	-20 to 93

DIMENSIONS & WEIGHTS

SIZE DN	Rp BSP	A (mm)	B (mm)	C (mm)
20	3/4"	70	110	38
25	1"	84	145	48
32	1 1/4"	98	150	63
40	1 1/2"	114	170	72
50	2"	140	190	78
65	2 1/2"	170	220	114

PART NAME & MATERIALS

ITEM NO.	PART NAME	MATERIAL
1	Handwheel	Aluminium
2	Name Plate	Aluminium
3	Hex Head Screw	Brass
4	Washer	Steel
5	Gland Nut	BS EN 12164:1998 CW609N
6	Gland Packing	Non ASB. Graphite
7	Gland Ring	BS EN 12164:1998 CW609N
8	Spindle	BS EN 12164:1998 CW602N
9	O-Ring	Rubber Nitrile
10	Head	BS EN 1982:1999 CB491K
11	Body	BS EN 1982:1999 CB491K
12	O-Ring	Rubber Nitrile
13	Retaining Plate	Stainless Steel, BS 3146 ANC 4BFC
14	Valve Disc	BS EN 12164:1998 CW602N
15	Seat Insert	Virgin PTFE
16	O-Ring	Rubber Nitrile
17	Locknut	BS EN 12164:1998 CW602N

APPROVALS



FM 00311 EMS 553775



MEDIUM

Hot water.

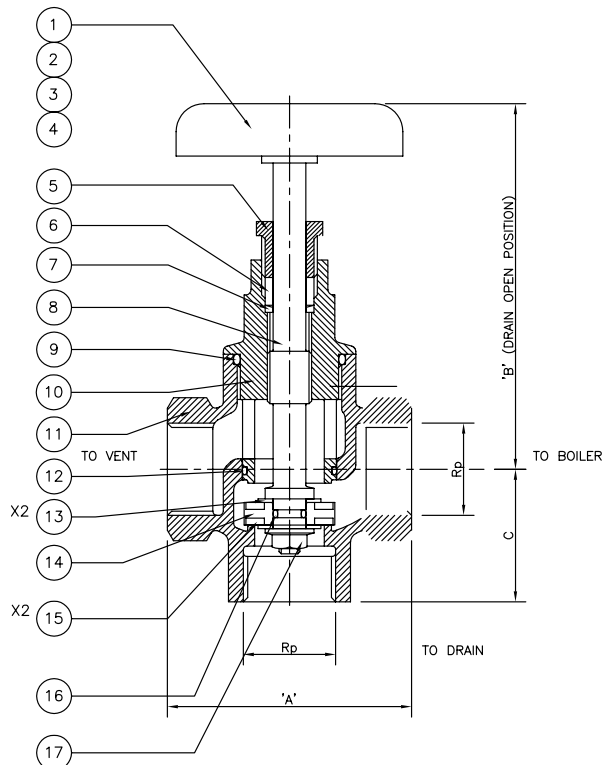
PIPE CONNECTIONS

Female end connections BSP to BS EN 10226-1.: Rp 3/4", Rp 1", Rp 1 1/4", Rp 1 1/2", Rp 2", Rp 2 1/2".

PRODUCT TESTING

All valves are 100% production tested.

DIMENSIONAL DRAWING



SIZING

To provide adequate emergency steam relief capability, vented hot water systems require the fitting of a suitably sized vent pipe in addition to a safety relief valve (Fig 542). The following sizes are specified in BS 779, BS 853 & BS 855.

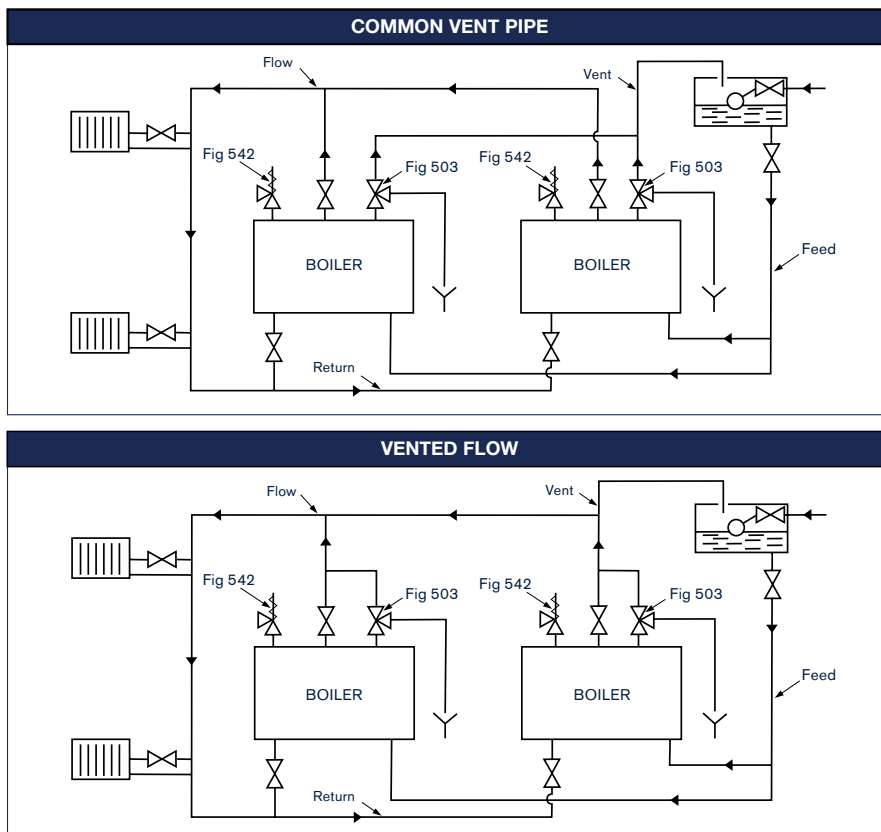
VENT PIPE						
SIZE	DN15	DN20	DN25	DN32	DN40	DN50
kW	44	60	150	300	600	above 600

To convert to Btu/hr multiply by 3400.

*The minimum size of vent pipe permitted by the above BS specifications is 25mm.

The rating given for the DN20 size is only for application outside the scope of these standards.

INSTALLATION



In both types of installation, there must be no isolating valve fitted between the Fig 503 and the boiler, vent pipe or drain.

CONSTRUCTION

The Fig 503 is of gunmetal construction, with all wetted parts manufactured from dezincification resistant materials. Cassette construction allows for the valve to be inspected and serviced without removal from the system. The internal design keeps loss of water on changeover to a minimum, and is such that boiler isolation is impossible. End connections have female threads to BS 21, and the DN65 size is also available with flanged boiler and vent connections. For other design conditions please consult NABIC Technical Department.

NABIC®

46-48 WILBURY WAY, HITCHIN, HERTFORDSHIRE, SG4 0UD
 Tel: +44 (0) 1462 443 278 Fax: +44 (0) 1462 443 127
 E-mail: nabicsales@cranebsu.com Web: www.nabicvalves.com

Every effort has been made to ensure that the information contained in this publication is accurate at the time of publishing. NABIC assumes no responsibility or liability for typographical errors or omissions or for any misinterpretation of the information within the publication and reserves the right to change without notice.

N_Eg.503
1118

OUR GENIUS IS VALVES